

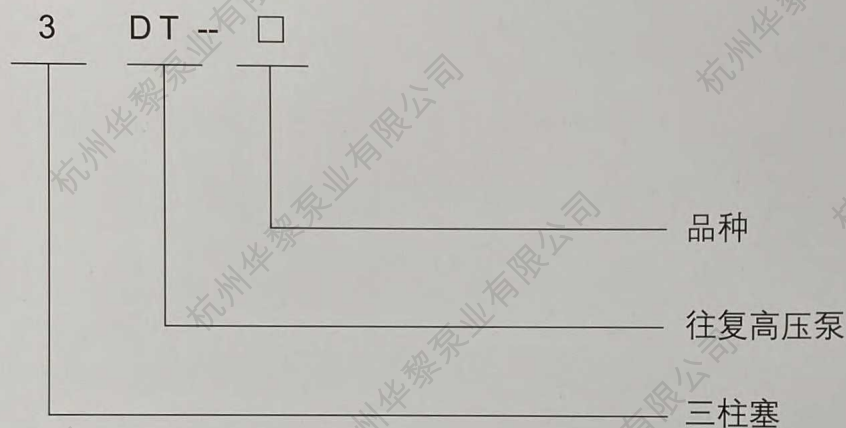
3DT 系列三柱塞往复高压泵

可广泛用于液压机、水压机、高压清洗机、水力切割机、矿山给水、轻工食品、石油化工、油田高压注水等一切需要输送高压介质的工业部门。

该系列产品具有设计先进，结构紧凑、体积小、泵效高、运行平稳可靠，操作维修方便等特点。设备制造精良，外形美观。

该系列泵可分为清水泵、污水泵、铜液泵等。可根据用户需要选配防爆、调速电动机或配带电控柜等，还可以为用户设计研制非本系列参数的不同用途的柱塞往复泵。

● 型号意义：

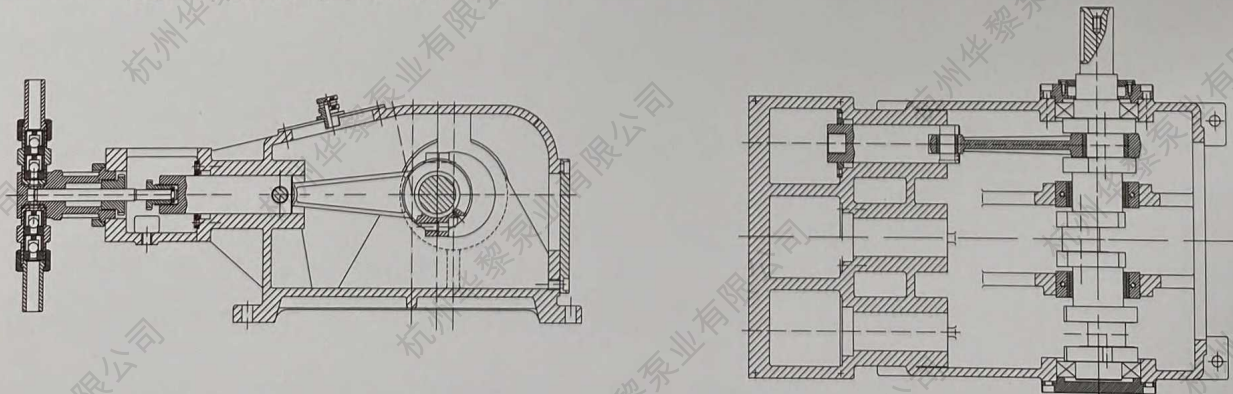


● 结构简介

本系列泵主要由动力部份，液力部份，传动部份及电动机等组成，整套同安装在一个整体底座上。泵体采用对称设计，两端均有进出口，可便于管线设计和安装。整机装有锥面密封弹簧式安全阀和流量脉动稳压器（蓄能器）。

本系列泵配有具有超压过载，断相失压和泵进、出口压力监视控制及起动、停机的多项保护功能的电控柜。

● 3DT 型三柱塞往复泵结构图



3DT-I 型三柱塞往复泵选型参数

3DT-II 型三柱塞往复泵选型参数

| 型号 | 柱塞直径 | 泵速 | 理论流量 | 压力 | 配用电机 | 型号 | 柱塞直径 | 泵速 | 理论流量 | 压力 | 配用电机 |
|----------------|------|-----|-------|------|------|-----------------|------|-----|-------|------|------|
| 3DT-I-45/60 | 8 | 127 | 45.9 | 60 | 3 | 3DT-II-100/60 | 10 | 127 | 107.7 | 60 | 4 |
| 3DT-I-50/60 | | 144 | 52.1 | | 3 | 3DT-II-120/60 | | 144 | 122.1 | | 5.5 |
| 3DT-I-45/50 | 8 | 127 | 45.9 | 50 | 2.2 | 3DT-II-100/50 | 10 | 127 | 107.7 | 50 | 4 |
| 3DT-I-50/50 | | 144 | 52.1 | | 2.2 | 3DT-II-120/50 | | 144 | 122.1 | | 4 |
| 3DT-I-45/40 | 8 | 127 | 45.9 | 40 | 2.2 | 3DT-II-100/40 | 10 | 127 | 107.7 | 40 | 4 |
| 3DT-I-50/40 | | 144 | 52.1 | | 2.2 | 3DT-II-120/40 | | 144 | 122.1 | | 4 |
| 3DT-I-45/32 | 8 | 127 | 45.9 | 32 | 1.5 | 3DT-II-100/32 | 10 | 127 | 107.7 | 32 | 3 |
| 3DT-I-50/32 | | 144 | 52.1 | | 1.5 | 3DT-II-120/32 | | 144 | 122.1 | | 3 |
| 3DT-I-70/60 | 10 | 127 | 71.8 | 60 | 4 | 3DT-II-150/60 | 12 | 127 | 155.0 | 60 | 5.5 |
| 3DT-I-80/60 | | 144 | 81.4 | | 4 | 3DT-II-170/60 | | 144 | 175.8 | | 7.5 |
| 3DT-I-70/50 | 10 | 127 | 71.8 | 50 | 4 | 3DT-II-150/50 | 12 | 127 | 155.0 | 50 | 4 |
| 3DT-I-80/50 | | 144 | 81.4 | | 4 | 3DT-II-170/50 | | 144 | 175.8 | | 5.5 |
| 3DT-I-70/40 | 10 | 127 | 71.8 | 40 | 3 | 3DT-II-150/40 | 12 | 127 | 155.0 | 40 | 4 |
| 3DT-I-80/40 | | 144 | 81.4 | | 3 | 3DT-II-170/40 | | 144 | 175.8 | | 4 |
| 3DT-I-70/32 | 10 | 127 | 71.8 | 32 | 2.2 | 3DT-II-150/32 | 12 | 127 | 155.0 | 32 | 3 |
| 3DT-I-80/32 | | 144 | 81.4 | | 2.2 | 3DT-II-170/32 | | 144 | 175.8 | | 4 |
| 3DT-I-70/25 | 10 | 127 | 71.8 | 25 | 1.5 | 3DT-II-210/60 | 14 | 127 | 211.0 | 60 | 7.5 |
| 3DT-I-80/25 | | 144 | 81.4 | | 2.2 | 3DT-II-235/60 | | 144 | 239.3 | | 7.5 |
| 3DT-I-100/40 | 12 | 127 | 103.4 | 40 | 4 | 3DT-II-210/50 | 14 | 127 | 211.0 | 50 | 7.5 |
| 3DT-I-110/40 | | 144 | 117.2 | | 4 | 3DT-II-235/50 | | 144 | 239.3 | | 7.5 |
| 3DT-I-100/32 | 12 | 127 | 103.4 | 32 | 4 | 3DT-II-210/40 | 14 | 127 | 211.0 | 40 | 5.5 |
| 3DT-I-110/32 | | 144 | 117.2 | | 4 | 3DT-II-235/40 | | 144 | 239.3 | | 7.5 |
| 3DT-I-100/25 | 12 | 127 | 103.4 | 25 | 2.2 | 3DT-II-210/32 | 14 | 127 | 211.0 | 32 | 5.5 |
| 3DT-I-110/25 | | 144 | 117.2 | | 3 | 3DT-II-235/32 | | 144 | 239.3 | | 5.5 |
| 3DT-I-100/20 | 12 | 127 | 103.4 | 20 | 2.2 | 3DT-II-210/25 | 14 | 127 | 211.0 | 25 | 4 |
| 3DT-I-110/20 | | 144 | 117.2 | | 2.2 | 3DT-II-235/25 | | 144 | 239.3 | | 4 |
| 3DT-I-100/16 | 12 | 127 | 103.4 | 16 | 1.5 | 3DT-II-270/50 | 16 | 127 | 275.6 | 50 | 7.5 |
| 3DT-I-110/16 | | 144 | 117.2 | | 1.5 | 3DT-II-310/50 | | 144 | 312.5 | | 7.5 |
| 3DT-I-140/32 | 14 | 127 | 140.7 | 32 | 4 | 3DT-II-270/40 | 16 | 127 | 275.6 | 40 | 7.5 |
| 3DT-I-155/32 | | 144 | 159.5 | | 4 | 3DT-II-310/40 | | 144 | 312.5 | | 7.5 |
| 3DT-I-140/25 | 14 | 127 | 140.7 | 25 | 3 | 3DT-II-270/32 | 16 | 127 | 275.6 | 32 | 5.5 |
| 3DT-I-155/25 | | 144 | 159.5 | | 3 | 3DT-II-310/32 | | 144 | 312.5 | | 7.5 |
| 3DT-I-140/20 | 14 | 127 | 140.7 | 20 | 3 | 3DT-II-270/25 | 16 | 127 | 275.6 | 25 | 4 |
| 3DT-I-155/20 | | 144 | 159.5 | | 3 | 3DT-II-310/25 | | 144 | 312.5 | | 4 |
| 3DT-I-140/16 | 14 | 127 | 140.7 | 16 | 1.5 | 3DT-II-270/16 | 16 | 127 | 275.6 | 16 | 3 |
| 3DT-I-155/16 | | 144 | 159.5 | | 2.2 | 3DT-II-310/16 | | 144 | 312.5 | | 3 |
| 3DT-I-140/12.5 | 14 | 127 | 140.7 | 12.5 | 1.5 | 3DT-II-340/40 | 18 | 127 | 348.9 | 40 | 7.5 |
| 3DT-I-155/12.5 | | 144 | 159.5 | | 1.5 | 3DT-II-390/40 | | 144 | 395.5 | | 7.5 |
| 3DT-I-180/25 | 16 | 127 | 183.8 | 25 | 4 | 3DT-II-340/32 | 18 | 127 | 348.9 | 32 | 7.5 |
| 3DT-I-200/25 | | 144 | 208.4 | | 4 | 3DT-II-390/32 | | 144 | 395.5 | | 7.5 |
| 3DT-I-180/20 | 16 | 127 | 183.8 | 20 | 3 | 3DT-II-340/25 | 18 | 127 | 348.9 | 25 | 5.5 |
| 3DT-I-200/20 | | 144 | 208.4 | | 3 | 3DT-II-390/25 | | 144 | 395.5 | | 5.5 |
| 3DT-I-180/16 | 16 | 127 | 183.8 | 16 | 2.2 | 3DT-II-340/16 | 18 | 127 | 348.9 | 16 | 4 |
| 3DT-I-200/16 | | 144 | 208.4 | | 3 | 3DT-II-390/16 | | 144 | 395.5 | | 4 |
| 3DT-I-180/12.5 | 16 | 127 | 183.8 | 12.5 | 2.2 | 3DT-II-340/12.5 | 18 | 127 | 348.9 | 12.5 | 3 |
| 3DT-I-200/12.5 | | 144 | 208.4 | | 2.2 | 3DT-II-390/12.5 | | 144 | 395.5 | | 3 |
| 3DT-I-180/10 | 16 | 127 | 183.8 | 10 | 1.5 | 3DT-II-430/32 | 20 | 127 | 430.7 | 32 | 7.5 |
| 3DT-I-200/10 | | 144 | 208.4 | | 1.5 | 3DT-II-480/32 | | 144 | 488.3 | | 7.5 |

3DT-II 型三柱塞往复泵选型参数

| 型 号 | 柱塞直径 | 泵速 | 理论流量 | 压力 | 配用电机 | 型 号 | 柱塞直径 | 泵速 | 理论流量 | 压力 | 配用电机 |
|------------------|------|-----|--------|------|------|-----------------|------|-----|--------|-----|------|
| 3DT-II-430/25 | 20 | 127 | 430.7 | 25 | 7.5 | 3DT-II-1100/10 | 32 | 127 | 1102.5 | 10 | 7.5 |
| 3DT-II-480/25 | | 144 | 488.3 | | 7.5 | 3DT-II-1250/10 | | 144 | 1250.1 | | 7.5 |
| 3DT-II-430/16 | 20 | 127 | 430.7 | 16 | 5.5 | 3DT-II-1100/8 | 32 | 127 | 1102.5 | 8 | 5.5 |
| 3DT-II-480/16 | | 144 | 488.3 | | 5.5 | 3DT-II-1250/8 | | 144 | 1250.1 | | 7.5 |
| 3DT-II-430/12.5 | 20 | 127 | 430.7 | 12.5 | 4 | 3DT-II-1100/6.3 | 32 | 127 | 1102.5 | 6.3 | 5.5 |
| 3DT-II-480/12.5 | | 144 | 488.3 | | 4 | 3DT-II-1250/6.3 | | 144 | 1250.1 | | 5.5 |
| 3DT-II-430/10 | 20 | 127 | 430.7 | 10 | 3 | 3DT-II-1100/5 | 32 | 127 | 1102.5 | 5 | 4 |
| 3DT-II-480/10 | | 144 | 488.3 | | 3 | 3DT-II-1250/5 | | 144 | 1250.1 | | 4 |
| 3DT-II-520/25 | 22 | 127 | 521.1 | 25 | 7.5 | 3DT-II-1100/4 | 32 | 127 | 1102.5 | 4 | 3 |
| 3DT-II-590/25 | | 144 | 590.9 | | 7.5 | 3DT-II-1250/4 | | 144 | 1250.1 | | 4 |
| 3DT-II-520/16 | 22 | 127 | 521.1 | 16 | 5.5 | 3DT-II-1300/10 | 35 | 127 | 1319.0 | 10 | 7.5 |
| 3DT-II-590/16 | | 144 | 590.9 | | 7.5 | 3DT-II-1490/10 | | 144 | 1495.5 | | 7.5 |
| 3DT-II-520/12.5 | 22 | 127 | 521.1 | 12.5 | 5.5 | 3DT-II-1300/8 | 35 | 127 | 1319.0 | 8 | 7.5 |
| 3DT-II-590/12.5 | | 144 | 590.9 | | 5.5 | 3DT-II-1490/8 | | 144 | 1495.5 | | 7.5 |
| 3DT-II-520/10 | 22 | 127 | 521.1 | 10 | 4 | 3DT-II-1300/6.3 | 35 | 127 | 1319.0 | 6.3 | 5.5 |
| 3DT-II-590/10 | | 144 | 590.9 | | 4 | 3DT-II-1490/6.3 | | 144 | 1495.5 | | 5.5 |
| 3DT-II-670/20 | 25 | 127 | 672.9 | 20 | 7.5 | 3DT-II-1300/5 | 35 | 127 | 1319.0 | 5 | 4 |
| 3DT-II-760/20 | | 144 | 763.0 | | 7.5 | 3DT-II-1490/5 | | 144 | 1495.5 | | 5.5 |
| 3DT-II-670/16 | 25 | 127 | 672.9 | 16 | 7.5 | 3DT-II-1300/4 | 35 | 127 | 1319.0 | 4 | 4 |
| 3DT-II-760/16 | | 144 | 763.0 | | 7.5 | 3DT-II-1490/4 | | 144 | 1495.5 | | 4 |
| 3DT-II-670/12.5 | 25 | 127 | 672.9 | 12.5 | 5.5 | 3DT-II-1300/3.2 | 35 | 127 | 1319.0 | 3.2 | 3 |
| 3DT-II-760/12.5 | | 144 | 763.0 | | 5.5 | 3DT-II-1490/3.2 | | 144 | 1495.5 | | 3 |
| 3DT-II-670/10 | 25 | 127 | 672.9 | 10 | 4 | 3DT-II-1700/8 | 40 | 127 | 1722.7 | 8 | 7.5 |
| 3DT-II-760/10 | | 144 | 763.0 | | 5.5 | 3DT-II-1950/8 | | 144 | 1953.3 | | 7.5 |
| 3DT-II-670/8 | 25 | 127 | 672.9 | 8 | 4 | 3DT-II-1700/6.3 | 40 | 127 | 1722.7 | 6.3 | 7.5 |
| 3DT-II-760/8 | | 144 | 763.0 | | 4 | 3DT-II-1950/6.3 | | 144 | 1953.3 | | 7.5 |
| 3DT-II-840/16 | 28 | 127 | 844.1 | 16 | 7.5 | 3DT-II-1700/5 | 40 | 127 | 1722.7 | 5 | 5.5 |
| 3DT-II-950/16 | | 144 | 957.1 | | 7.5 | 3DT-II-1950/5 | | 144 | 1953.3 | | 5.5 |
| 3DT-II-840/12.5 | 28 | 127 | 844.1 | 12.5 | 7.5 | 3DT-II-1700/4 | 40 | 127 | 1722.7 | 4 | 4 |
| 3DT-II-950/12.5 | | 144 | 957.1 | | 7.5 | 3DT-II-1950/4 | | 144 | 1953.3 | | 5.5 |
| 3DT-II-840/10 | 28 | 127 | 844.1 | 10 | 5.5 | 3DT-II-1700/3.2 | 40 | 127 | 1722.7 | 3.2 | 3 |
| 3DT-II-950/10 | | 144 | 957.1 | | 5.5 | 3DT-II-1950/3.2 | | 144 | 1953.3 | | 4 |
| 3DT-II-840/8 | 28 | 127 | 844.1 | 8 | 4 | 3DT-II-1700/2.5 | 40 | 127 | 1722.7 | 2.5 | 3 |
| 3DT-II-950/8 | | 144 | 957.1 | | 5.5 | 3DT-II-1950/2.5 | | 144 | 1953.3 | | 3 |
| 3DT-II-840/6.3 | 28 | 127 | 844.1 | 6.3 | 4 | 3DT-II-2180/6.3 | 45 | 127 | 2180.3 | 6.3 | 7.5 |
| 3DT-II-950/6.3 | | 144 | 957.1 | | 4 | 3DT-II-2470/6.3 | | 144 | 2472.2 | | 7.5 |
| 3DT-II-960/12.5 | 30 | 127 | 969.0 | 12.5 | 7.5 | 3DT-II-2180/5 | 45 | 127 | 2180.3 | 5 | 7.5 |
| 3DT-II-1090/12.5 | | 144 | 1098.7 | | 7.5 | 3DT-II-2470/5 | | 144 | 2472.2 | | 7.5 |
| 3DT-II-960/10 | 30 | 127 | 969.0 | 10 | 7.5 | 3DT-II-2180/4 | 45 | 127 | 2180.3 | 4 | 5.5 |
| 3DT-II-1090/10 | | 144 | 1098.7 | | 7.5 | 3DT-II-2470/4 | | 144 | 2472.2 | | 5.5 |
| 3DT-II-960/8 | 30 | 127 | 969.0 | 8 | 5.5 | 3DT-II-2180/3.2 | 45 | 127 | 2180.3 | 3.2 | 4 |
| 3DT-II-1090/8 | | 144 | 1098.7 | | 5.5 | 3DT-II-2470/3.2 | | 144 | 2472.2 | | 4 |
| 3DT-II-960/6.3 | 30 | 127 | 969.0 | 6.3 | 4 | 3DT-II-2180/2.5 | 45 | 127 | 2180.3 | 2.5 | 3 |
| 3DT-II-1090/6.3 | | 144 | 1098.7 | | 4 | 3DT-II-2470/2.5 | | 144 | 2472.2 | | 4 |
| 3DT-II-960/5 | 30 | 127 | 969.0 | 5 | 3 | 3DT-II-2180/1.6 | 45 | 127 | 2180.3 | 1.6 | 3 |
| 3DT-II-1090/5 | | 144 | 1098.7 | | 4 | 3DT-II-2470/1.6 | | 144 | 2472.2 | | 3 |
| 3DT-II-1100/12.5 | 32 | 127 | 1102.5 | 12.5 | 7.5 | | | | | | |
| 3DT-II-1250/12.5 | | 144 | 1250.1 | | 7.5 | | | | | | |

3DT-III 型三柱塞往复泵选型参数

| 型号 | 柱塞直径 | 泵速 | 理论流量 | 压力 | 配用电机 | 型号 | 柱塞直径 | 泵速 | 理论流量 | 压力 | 配用电机 |
|-----------------|------|-----|--------|-------|------|-------------------|------|-----|--------|-------|------|
| 3DT-III-310/50 | 14 | 127 | 316.6 | 50 | 7.5 | 3DT-III-1600/16 | 32 | 127 | 1653.8 | 16 | 11 |
| 3DT-III-440/50 | | 180 | 448.7 | | 11 | 3DT-III-2300/16 | | 180 | 2344.0 | | 15 |
| 3DT-III-410/50 | 16 | 127 | 413.5 | 50 | 7.5 | 3DT-III-1600/12.5 | 32 | 127 | 1653.8 | 12.5 | 7.5 |
| 3DT-III-580/50 | | 180 | 586.0 | | 11 | 3DT-III-2300/12.5 | | 180 | 2344.0 | | 11 |
| 3DT-III-410/40 | 16 | 127 | 413.5 | 40 | 7.5 | 3DT-III-1978/10 | 35 | 127 | 1978.4 | 26 | 18.5 |
| 3DT-III-580/40 | | 180 | 586.0 | | 11 | 3DT-III-2804/10 | | 180 | 2804.1 | | |
| 3DT-III-520/50 | 18 | 127 | 523.3 | 50 | 11 | 3DT-III-1900/25 | 35 | 127 | 1978.4 | 25 | 18.5 |
| 3DT-III-740/50 | | 180 | 741.7 | | 15 | 3DT-III-2800/25 | | 180 | 2804.1 | | |
| 3DT-III-520/40 | 18 | 127 | 523.3 | 40 | 11 | 3DT-III-1900/20 | 35 | 127 | 1978.4 | 20 | 15 |
| 3DT-III-740/40 | | 180 | 741.7 | | 11 | 3DT-III-2800/20 | | 180 | 2804.1 | | 18.5 |
| 3DT-III-520/32 | 18 | 127 | 523.3 | 32 | 7.5 | 3DT-III-1900/16 | 35 | 127 | 1978.4 | 16 | 11 |
| 3DT-III-740/32 | | 180 | 741.7 | | 11 | 3DT-III-2800/16 | | 180 | 2804.1 | | 18.5 |
| 3DT-III-640/50 | 20 | 127 | 646.0 | 50 | 15 | 3DT-III-1900/12.5 | 35 | 127 | 1978.4 | 12.5 | 11 |
| 3DT-III-900/50 | | 180 | 915.6 | | 18.5 | 3DT-III-2800/12.5 | | 180 | 2804.1 | | 15 |
| 3DT-III-640/40 | 20 | 127 | 646.0 | 40 | 11 | 3DT-III-1900/10 | 35 | 127 | 1978.4 | 10 | 7.5 |
| 3DT-III-900/40 | | 180 | 915.6 | | 15 | 3DT-III-2800/10 | | 180 | 2804.1 | | 11 |
| 3DT-III-640/32 | 20 | 127 | 646.0 | 32 | 11 | 3DT-III-2332 | 38 | 127 | 2332.1 | 17.65 | 15 |
| 3DT-III-900/32 | | 180 | 915.6 | | 11 | 3DT-III-3305 | | 180 | 3305.4 | | |
| 3DT-III-640/25 | 20 | 127 | 646.0 | 25 | 7.5 | 3DT-III-2300/16 | 38 | 127 | 2332.1 | 16 | 15 |
| 3DT-III-900/25 | | 180 | 915.6 | | 11 | 3DT-III-3300/16 | | 180 | 3305.4 | | 18.5 |
| 3DT-III-780/50 | 22 | 127 | 781.7 | 50 | 15 | 3DT-III-2300/12.5 | 38 | 127 | 2332.1 | 12.5 | 11 |
| 3DT-III-1100/50 | | 180 | 1107.9 | | 18.5 | 3DT-III-3300/12.5 | | 180 | 3305.4 | | 15 |
| 3DT-III-780/40 | 22 | 127 | 781.7 | 40 | 11 | 3DT-III-2300/10 | 38 | 127 | 2332.1 | 10 | 11 |
| 3DT-III-1100/40 | | 180 | 1107.9 | | 15 | 3DT-III-3300/10 | | 180 | 3305.4 | | 15 |
| 3DT-III-780/32 | 22 | 127 | 781.7 | 32 | 11 | 3DT-III-2300/8 | 38 | 127 | 2332.1 | 8 | 7.5 |
| 3DT-III-1100/32 | | 180 | 1107.9 | | 15 | 3DT-III-3300/8 | | 180 | 3305.4 | | 11 |
| 3DT-III-780/25 | 22 | 127 | 781.7 | 25 | 7.5 | 3DT-III-2300/6.3 | 38 | 127 | 2332.1 | 6.3 | 7.5 |
| 3DT-III-1100/25 | | 180 | 1107.9 | | 11 | 3DT-III-3300/6.3 | | 180 | 3305.4 | | 7.5 |
| 3DT-III-780/20 | 22 | 127 | 781.7 | 20 | 7.5 | 3DT-III-2584 | 40 | 127 | 2584.1 | 15.73 | 15 |
| 3DT-III-1100/20 | | 180 | 1107.9 | | 11 | 3DT-III-3662 | | 180 | 3662.5 | | 18.5 |
| 3DT-III-1266/16 | 28 | 127 | 1266.2 | 40.62 | 18.5 | 3DT-III-2500/16 | 40 | 127 | 2584.1 | 16 | 18.5 |
| 3DT-III-1794/16 | | 180 | 1794.6 | | | 3DT-III-3600/16 | | 180 | 3662.5 | | |
| 3DT-III-1250/40 | 28 | 127 | 1266.2 | 40 | 18.5 | 3DT-III-2500/12.5 | 40 | 127 | 2584.1 | 12.5 | 15 |
| 3DT-III-1700/40 | | 180 | 1794.6 | | | 3DT-III-3600/12.5 | | 180 | 3662.5 | | 22 |
| 3DT-III-1250/32 | 28 | 127 | 1266.2 | 32 | 15 | 3DT-III-2500/10 | 40 | 127 | 2584.1 | 10 | 11 |
| 3DT-III-1700/32 | | 180 | 1794.6 | | 18.5 | 3DT-III-3600/10 | | 180 | 3662.5 | | 18.5 |
| 3DT-III-1250/25 | 28 | 127 | 1266.2 | 25 | 11 | 3DT-III-2500/8 | 40 | 127 | 2584.1 | 8 | 11 |
| 3DT-III-1700/25 | | 180 | 1794.6 | | 18.5 | 3DT-III-3600/8 | | 180 | 3662.5 | | 15 |
| 3DT-III-1250/20 | 28 | 127 | 1266.2 | 20 | 11 | 3DT-III-2500/6.3 | 40 | 127 | 2584.1 | 6.3 | 7.5 |
| 3DT-III-1700/20 | | 180 | 1794.6 | | 15 | 3DT-III-3600/6.3 | | 180 | 3662.5 | | 11 |
| 3DT-III-1250/16 | 28 | 127 | 1266.2 | 16 | 7.5 | 3DT-III-3270 | 45 | 127 | 3270.5 | 15.73 | 18.5 |
| 3DT-III-1700/16 | | 180 | 1794.6 | | 11 | 3DT-III-4635 | | 180 | 4635.3 | | |
| 3DT-III-1653/10 | 32 | 127 | 1653.8 | 31.1 | 18.5 | 3DT-III-3200/16 | 45 | 127 | 3270.5 | 16 | 18.5 |
| 3DT-III-2344/10 | | 180 | 2344.0 | | | 3DT-III-4600/16 | | 180 | 4635.3 | | |
| 3DT-III-1600/32 | 32 | 127 | 1653.8 | 32 | 18.5 | 3DT-III-3200/12.5 | 45 | 127 | 3270.5 | 12.5 | 15 |
| 3DT-III-2300/32 | | 180 | 2344.0 | | | 3DT-III-4600/12.5 | | 180 | 4635.3 | | 22 |
| 3DT-III-1600/25 | 32 | 127 | 1653.8 | 25 | 15 | 3DT-III-3200/10 | 45 | 127 | 3270.5 | 10 | 11 |
| 3DT-III-2300/25 | | 180 | 2344.0 | | 22 | 3DT-III-4600/10 | | 180 | 4635.3 | | 18.5 |
| 3DT-III-1600/20 | 32 | 127 | 1653.8 | 20 | 15 | 3DT-III-3200/8 | 45 | 127 | 3270.5 | 8 | 11 |
| 3DT-III-2300/20 | | 180 | 2344.0 | | 18.5 | 3DT-III-4600/8 | | 180 | 4635.3 | | 15 |
| | | | | | | 3DT-III-3200/6.3 | 45 | 127 | 3270.5 | 6.3 | 7.5 |
| | | | | | | 3DT-III-4600/6.3 | | 180 | 4635.3 | | 11 |